

# BRUSH



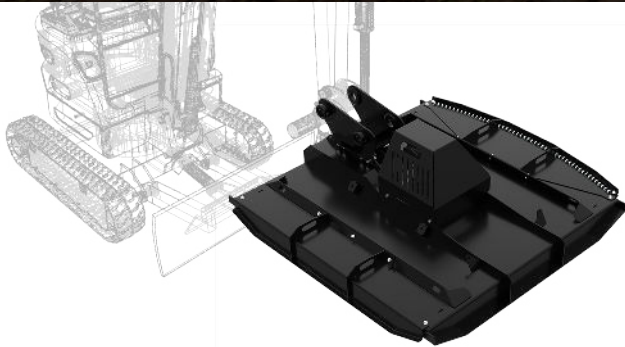
BY FECON

# CUTTER



## BC54

### FEATURES & SPECS



BRUSH CUTTER SPECS	DISPLAY MODEL	
	BC44	BC54
MODEL NO.	BC44	BC54
COMPATIBILITY	3.5-10T EXC	5-10T EXC
WEIGHT (LBS)	750	950
WORKING WIDTH	44"	54"
MATERIAL CAPACITY	0-4"	0-4"
FLOW RANGE (GPM)	10-45	10-45



NO CASE DRAIN  
REQUIRED



PLUG AND PLAY  
HYDRAULIC HOOKUP



DIRECT DRIVE  
MOTOR



REMOVABLE  
SIDE DOORS



REINFORCED  
DECK



EASILY SERVICEABLE  
BLADE SYSTEM



DEMO: [FECON.COM/CONTACT](http://FECON.COM/CONTACT)  
PARTS: [FECON.COM/SUPPORT](http://FECON.COM/SUPPORT)  
CALL: 800-528-3113

WATCH IT  
IN ACTION

